

Xcel Series Slide Lock and Indicator Set

Material Specifications

- Diecast Zinc
- Alloy ZP3
- ABS Snap On Cover

Mounting

- Surface Mounted Concealed Screw Fix

Dimensions

- **Indicator:** 50mm \varnothing x 18mmD
- **Lock Body:** 68mmW x 50mmH x 38mmD
- **Staple:** 28mmW x 36mmH x15mmD

Finish

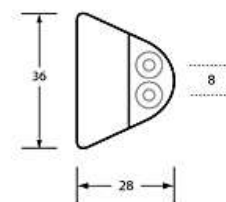
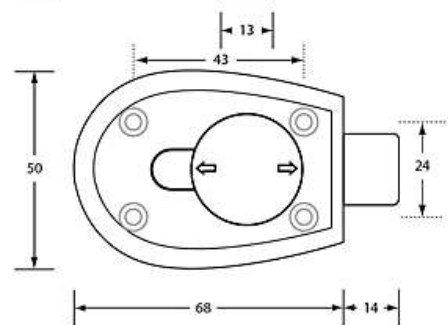
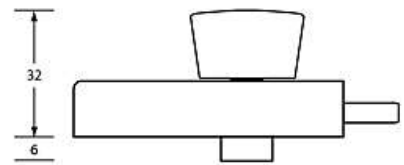
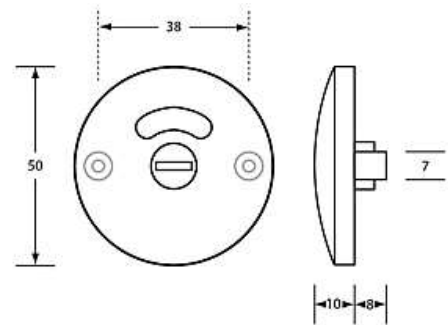
- **XCEL_SLIDELOCK:** Satin Chrome Plate
- **XCEL_SLIDELOCK_SNP:** Satin Nickel Plate
- **XCEL_SLIDELOCK_SPP:** Satin Pearl Plate
- **XCEL_SLIDELOCK_ANMB:** Antimicrobial Coated
- **XCEL_SLIDELOCK_DESIGNER:** Designer Black

Installation Guidelines

Attaching The Handle To The Lock

- The lock handle will have two pre-installed grub screws and a pre-packaged Allen key.

1. Ensure the lock cover is correctly inserted and flush in position.



The photographs and line drawings of the products presented above are representational only. Metlam Australia Pty Ltd reserves the right to, and from time to time, make changes and improvements in design and dimensions.

2. Ensure the pre-installed grub screws on the handle are unwound enough to allow the handle to be placed over the handle assembly.



3. Once the handle is fitted over the handle assembly the grub screws should be tightened using the provided Allen key.



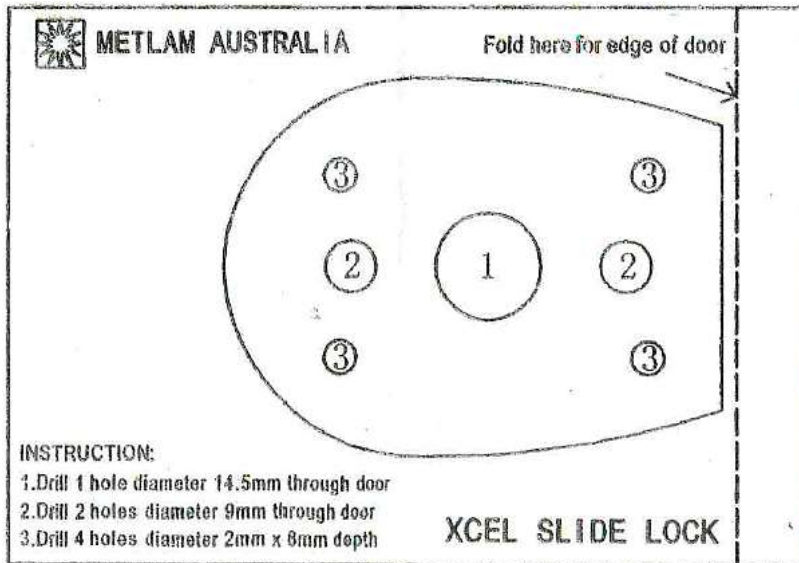
- **Note:** The grub screw is designed to bite into the plated layer on the handle assembly to give extra grip, therefore the installer should ensure that the grub screw is tightened to a point that it is recessed into the handle.
4. Continue to screw in the grub screw until the Allen key end is 1 -2 mm or thereabouts recessed into the actual handle.



5. Check to ensure there is free movement and the handle does not rub on the cover plate of the lock.

The photographs and line drawings of the products presented above are representational only.
Metlam Australia Pty Ltd reserves the right to, and from time to time, make changes and improvements in design and dimensions.

Drilling Holes



Features

- Unique Easy-Glide Slide Lock for restricted hand mobility, limb loss and hygiene protection
- Lock has raised directional arrows for vision impaired

The technical recommendations contained in this document are necessarily of a general nature and should not be relied on for specific applications without first securing competent advice. Whilst Metlam Australia Pty Ltd has taken all reasonable steps to ensure the information contained herein is accurate and current, it does not warrant the accuracy or completeness of the information and does not accept liability for errors or omissions. Any Commercial product should only be installed by a competent tradesperson and serviced/maintained by knowledgeable janitorial staff or competent people. Metlam Australia accepts no responsibility for any damage to product, walls or fixtures due to incorrect installation or maintenance of any of their products.